

DATASHEET

# FlexiBowl<sup>®</sup> 200 C/CC

Flexible feeding system for all parts measuring between **1 and 10 mm** and weighing up to **20 g**

FlexiBowl<sup>®</sup> 200C/CC can feed products of any geometry, surface and material. It is compatible with all industrial robots and vision systems. One FlexiBowl<sup>®</sup> can feed entire ranges of parts measuring 1 to 10 mm and weighing up to 20 g, replacing the need for the numerous units used in conventional systems.



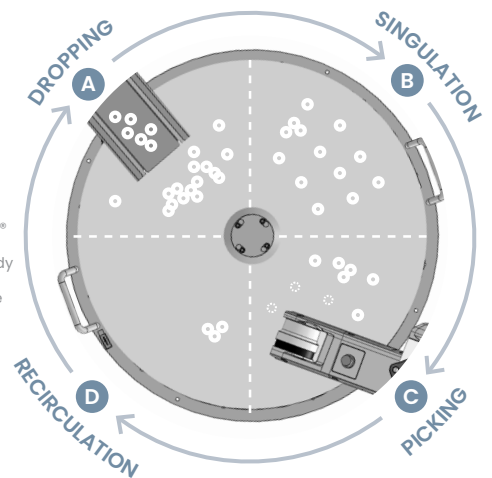
## ADVANTAGES

- High performance
- Compatible with 99.9% of parts
- Essential design, robust construction
- Specifically engineered for small parts
- Quick release mechanism for rapid
- Electric flip mechanism
- Rapid, intuitive integration
- Several singulation options
- Accurate location of parts
- Suitable for delicate parts
- Large area for singulation and picking
- Low maintenance
- Patented

## HOW IT WORKS

Parts dropping, singulation and picking take place simultaneously in dedicated sectors. For greater productivity.

NOTE: The edge on FlexiBowl<sup>®</sup> 200 C/CC transitions smoothly from the main body to avoid parts getting stuck around the ring or under the surface.



## OPERATING MODES

### Traditional

Parts are singulated by the combined action of bidirectional rotation and the pulse generator. Once the parts are separated, the robot uses the coordinates sent by the vision system to locate and pick them up, while the disc is not moving.



PRECISION	■■■■■	LAYOUT	■■■□□
PERFORMANCE	■■■■■	EASY TO INTEGRATE	■■■■■
SINGULATION	■■■■■		

DATASHEET

# FlexiBowl<sup>®</sup> 200 C/CC

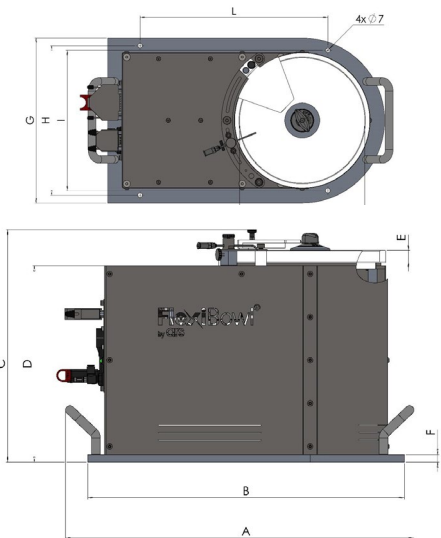
Flexible feeding system for all parts measuring between **1** and **10 mm** and weighing up to **20 g**

**SPECIFICATIONS**

Dimensions of parts	1<x<10 mm
Weight of parts	<20 g
Backlit area	90 cm <sup>2</sup>
Load capacity	1 kg
Bulk feeder/hopper load capacity	1.5 dm <sup>3</sup>
Overall dimensions	254x470 mm
Picking height	270 mm
Installation temperature	5-45 °C
Installation position	Floor
Air pressure (dry and filtered)	6 bar - Ø 6 mm pipe
Electronic power supply	110-230 VAC
Red backlight wavelength	630 nm
Infrared backlight wavelength	850 nm
Absorption	150 W
Data connection	<ul style="list-style-type: none"> <li>- Ethernet IP</li> <li>- Digital I/O</li> <li>- TCP/IP-UDP</li> <li>- Gateway for other protocols</li> </ul>

**DIMENSIONS**

A	470 mm	H	230 mm
B	427 mm	I	216 mm
C	319 mm	L	289,5 mm
D	264 mm	M	193 mm
E	15 mm	N	90,5 mm
F	10 mm	O	180 mm
G	254 mm	Weight	18 Kg



**OPTIONAL ACCESSORIES**

- ▶ Analog Electro Pneumatic Regulator
- ▶ Calibration Plate
- ▶ Camera Bracket Base Stand
- ▶ Custom grooved Discs
- ▶ Diverters
- ▶ External Swivel Gripper
- ▶ Lighting (white, red, IR)
- ▶ Rotary Discs (including FDA-compatible and anti-static)

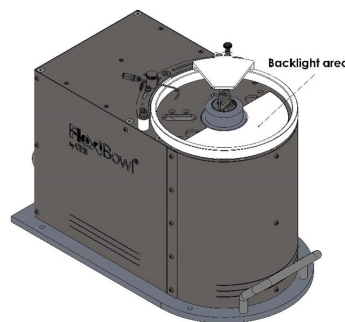
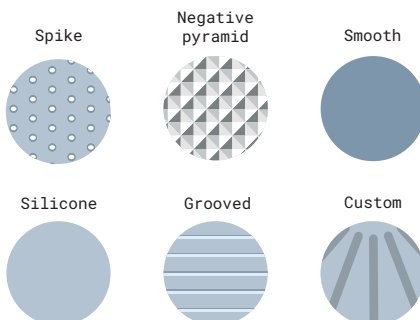
**PLUG-INS**

FlexiBowl is compatible with all TCP/IP socket languages and offers plug-ins for a vast range of robots, including:

- ▶ ABB
- ▶ Denso
- ▶ Doosan
- ▶ Epson
- ▶ Fanuc
- ▶ Kawasaki
- ▶ Kuka
- ▶ Mecademic
- ▶ Mitsubishi Electric
- ▶ Omron
- ▶ Stäubli
- ▶ Techman Robot
- ▶ Universal Robots

**ROTARY DISC TYPES**

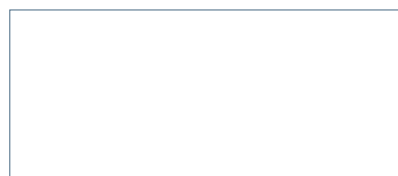
Including FDA-compatible and anti-static



**PLC PLUG-INS AVAILABLE:**

- ▶ Allen – Bradley
- ▶ Omron
- ▶ Siemens

**CONTACTS**



Ars s.r.l.  
Via G. Vico, 7  
52100 Arezzo  
Tel: +39.0575.398611  
P.I. 01739760518  
[sales@arsautomation.com](mailto:sales@arsautomation.com)  
[www.flexibowl.com](http://www.flexibowl.com)

